



P51D

TECHNICAL DATA

Max crimping dia (mm/inch) ¹⁾	124/4.88
Max crimping dia with master dies (mm/inch)	150/5.9
Max crimping force (KN)	4500
Max crimping force (tonnage)	450
Cycle time 10 mm ²⁾	6.1
Hydraulic hose size (inch)	2 ½ *
Industrial hose size (inch)	4.88 *
Die set series	32/140
Max opening (mm) ³⁾	+40
Max opening without dies (mm)	180
Master die D/L (mm)	140/120
Master die D/L (inch)	5.52-4.73
Motor Power (KW/HP) ³⁾	4.0/5.5 1.5/2.0 (400V 3 Phase)
Oil tank volume	80 L

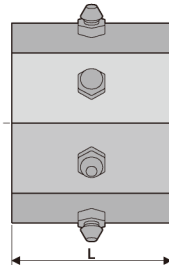
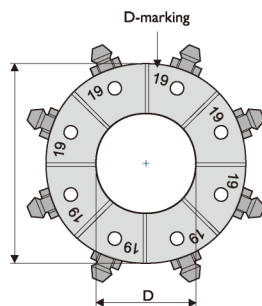
DIMENSIONS (LxWxH)

Machine (mm)	760x650x1520
Machine (inch)	29.9x25.6x59.8
Packaged (mm)	1040x1020x1560
Packaged (inch)	40.9x40.2x61.4

WEIGHT

Machine (kg/lbs)	560/1235
Packaged (kg/lbs)	610/1345

* ACCORDING TO THE FITTING.



- 1) With standard dies. Crimping range can be increased with special dies.
- 2) Theoretical with 10 mm cycle.
- 3) Maximum opening is the total die travel. Add this value to the minimum crimping diameter of the die set used. The result is the maximum opening of the machine with die set in place.

FEATURES

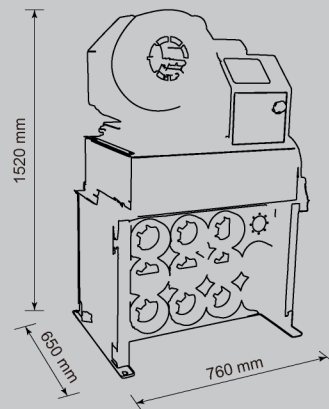
- Digital Precision Control
- Quick Change Tool and Die rack
- Energy Saving and Safety Operation
- TUV CE Approved

OPTIONS

- 110V/220V 1 Phase
- 230V/440V/480V 3 Phase

CONTROL

Digital Control



DIE SET 140-SERIES

DieSetNo	D (mm)	L (mm)	Crimp. range (mm)
18860/84	84	110	84.0-92.0
18860/92	92	110	92.0-100.0
18860/100	100	110	100.0-108.0
18860/108	108	110	108.0-116.0
18860/116	116	110	116.0-124.0

DIE SET 32-SERIES

DieSetNo	D (mm)	L (mm)	Crimp. range (mm)
*18506/10	10	55	10.0-12.0
*18506/12	12	55	12.0-14.0
18506/14	14	55	14.0-16.0
18506/16	16	55	16.0-19.0
18506/19	19	55	19.0-22.0
18506/22	22	70	22.0-26.0
18506/26	26	70	26.0-30.0
18506/30	30	70	30.0-34.0
18506/34	34	75	34.0-39.0
18506/39	39	75	39.0-45.0
18506/45	45	90	45.0-51.0
18506/51	51	90	51.0-57.0
18506/57	57	100	57.0-63.0
18506/63	63	110	63.0-69.0
18506/69	69	110	69.0-75.0
*18506/74	74	110	74.0-80.0
*18506/78	78	110	78.0-87.0

* Optional die sets at additional cost

Products images & Specifications may alter prior official notice at any time.